

Ball valve 290 - 293

- Dezincification resistant brass
- Female thread 1/2" – 2"
- Male/female thread 3/4" - 2"
- Full flow valve



Description

Ball valve.

Construction

Ball valve in dezincification resistant brass with full flow (bore), gaskets in PTFE.

Model 290

Connection female thread 1/2" - 2". Steel lever.

Model 2905

Connection female thread 1/2" - 2". High neck for insulation penetration. Gasket in PTFE and double FKM. Steel lever.

Model 292

Connection female/male thread 3/4" - 2". Steel lever.

Model 293

Connection female/male thread 3/4". T-handle.

Marking

CR, DN, PN and company logotype.

Maintenance

The ball valve must be operated periodically, two to three times a year.

Technical data

Body	Dezincification resistant brass CW625N
Ball seal	PTFE
Stem gasket	PTFE
Stem gaskets 290S	PTFE and FKM/FKM

Maximum working pressure:

25 bar 1/2"-1 1/2"

20 bar 2"

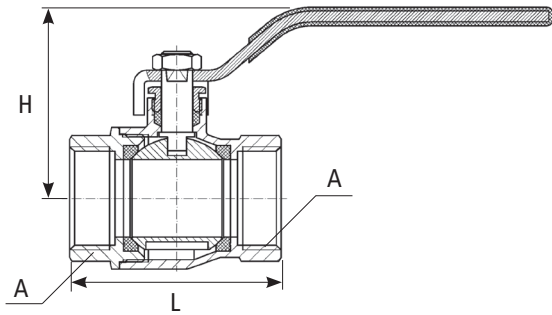
Maximum working temperature: +100°C

Minimum working temperature: -10°C

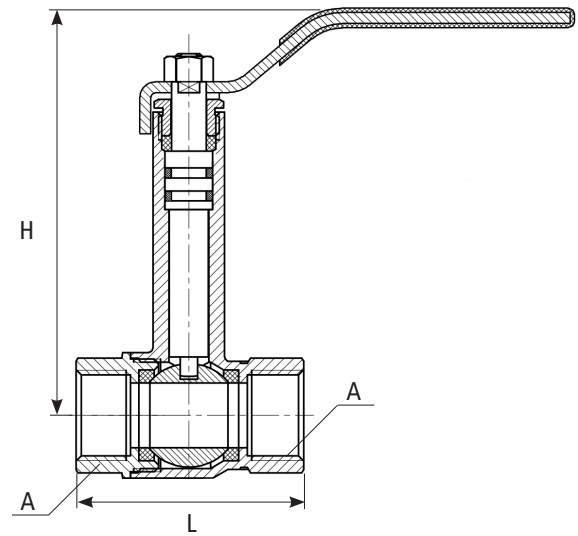
Subject to technical changes and corrections without notice

Ball valve 290 - 293

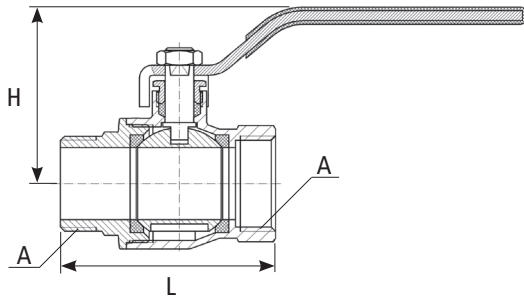
290



290S



292



Item number	Description	Connection thread A	Length L	Centrum height H	Weight (kg per piece)
0429001500	Ball valve 290-15, 1/2" F, lever	1/2" F	48	49,8	0,18
0429002000	Ball valve 290-20, 3/4" F, lever	3/4" F	58	53,5	0,29
0429002500	Ball valve 290-25, 1" F, lever	1" F	67	62	0,47
0429003200	Ball valve 290-32, 1 1/4" F, lever	1 1/4" F	82,5	67	0,67
0429004000	Ball valve 290-40, 1 1/2" F, lever	1 1/2" F	89	78	0,98
0429005000	Ball valve 290-50, 2" F, lever	2" F	107,5	86	1,40
0429011500	Ball valve 290S-15, 1/2" F, lever	1/2" F	53	96,5	0,27
0429012000	Ball valve 290S-20, 3/4" F, lever	3/4" F	58,5	99,5	0,36
0429012500	Ball valve 290S-25, 1" F, lever	1" F	69	107	0,52
0429013200	Ball valve 290S-32, 1 1/4" F, lever	1 1/4" F	80,5	119	0,83
0429014000	Ball valve 290S-40, 1 1/2" F, lever	1 1/2" F	93,5	125	1,15
0429015000	Ball valve 290S-50, 2" F, lever	2" F	113	135	1,70

Item number	Description	Connection thread A	Length L	Centrum height H	Weight (kg per piece)
0429202000	Ball valve 292-20, 3/4" F x 3/4" M, lever	3/4" F x 3/4" M	53,5	64,5	0,29
0429202500	Ball valve 292-25, 1" F x 1" M, lever	1" F x 1" M	75	62	0,49
0429203200	Ball valve 292-32, 1 1/4" F x 1 1/4" M, lever	1 1/4" F x 1 1/4" M	89,5	67	0,67
0429204000	Ball valve 292-40, 1 1/2" F x 1 1/2" M, lever	1 1/2" F x 1 1/2" M	96	78	0,98
0429205000	Ball valve 292-50, 2" F x 2" M, lever	2" F x 2" M	115,5	86	1,40

Item number	Description	Connection thread A	Length L	Centrum height H	Weight (kg per piece)
0429302000	Ball valve 293-20, 3/4" F x 3/4" M, T-handle	3/4" F x 3/4" M	64,5	44	0,29

All dimensions in millimetres

Subject to technical changes and corrections without notice